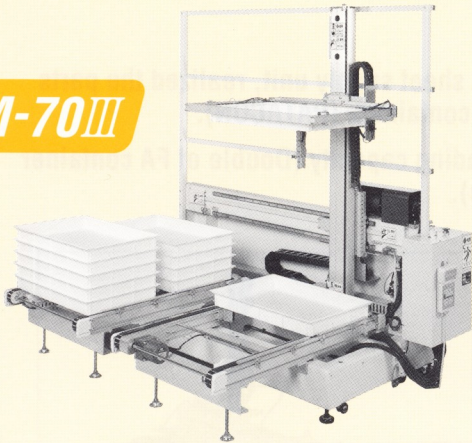


T O T A L F A S Y S T E M

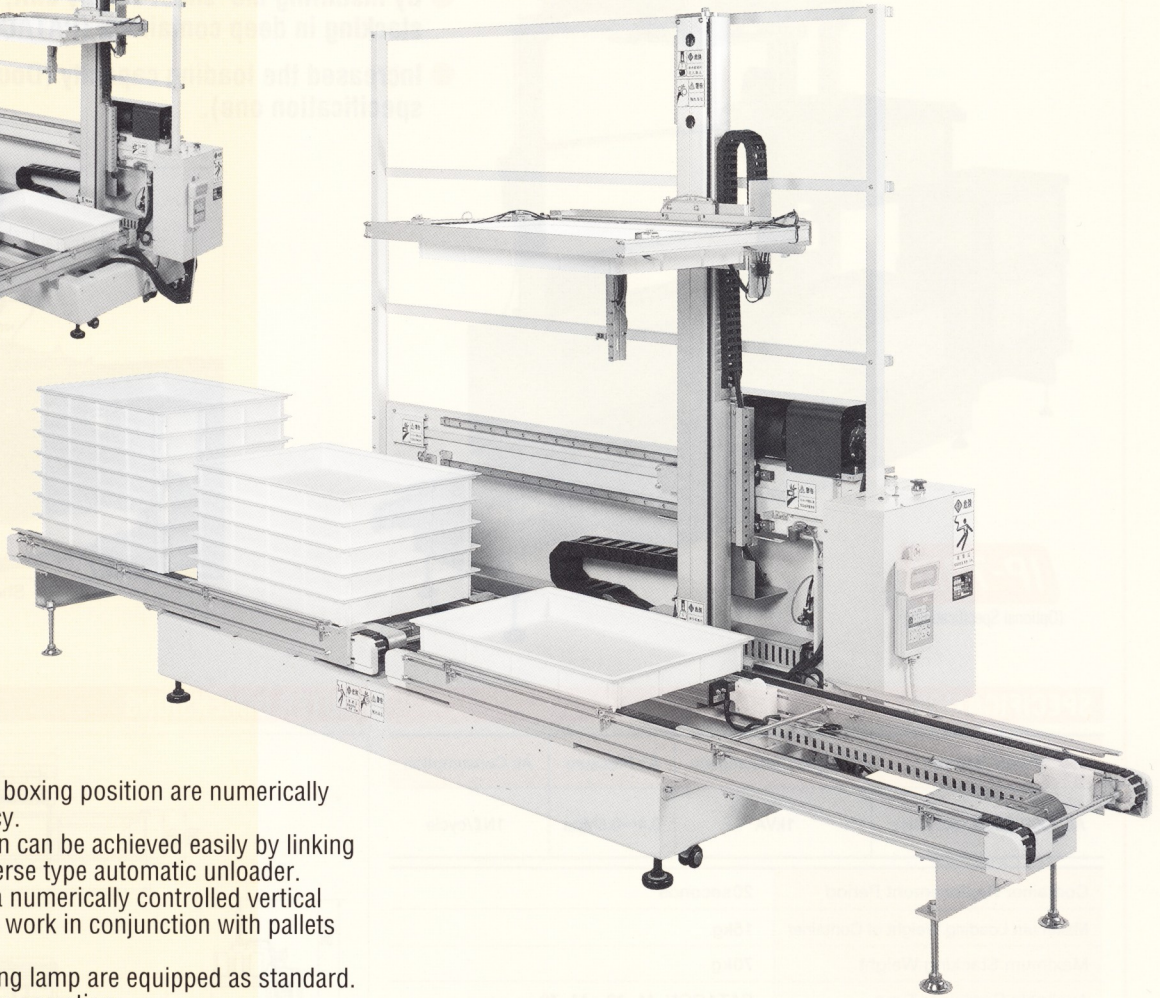
# PALLET CHANGER I/M

ROBOT LINK MODULES FOR PARTS PROCESSING AND ASSEMBLY ROBOT LINES.

M-70Ⅲ



I-70Ⅲ



## FEATURES

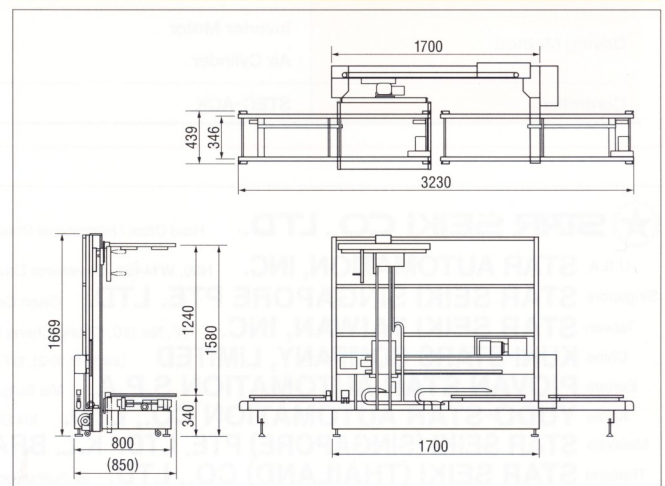
- Vertical axis and container boxing position are numerically controlled for high accuracy.
- Automatic boxing operation can be achieved easily by linking this equipment with a traverse type automatic unloader.
- Since this equipment has a numerically controlled vertical axis, it has the flexibility to work in conjunction with pallets of various depth.
- Buffer conveyor and warning lamp are equipped as standard.
- Pendant type panel for easy operation.

## SPECIFICATION

Power Source	Electric Consumption	Air Pressure	Air Consumption
AC200V ±10% · 50/60Hz	1kVA	0.4~0.5Mpa	3Nℓ/cycle
Container Replacement Period	11seconds		
Maximum Loading Weight of Container	7kg		
Maximum Stacking Weight	70kg		
Available Container Type	FA container F-70 · F-40I (25H~125H)		
Lifter Stroke	1240mm (specifiable to 1mm)		
Slide Stroke	850mm (specifiable to 1mm)		
Driving Method	Inverter Motor Air Cylinder		
Controller	STEC-ACK		

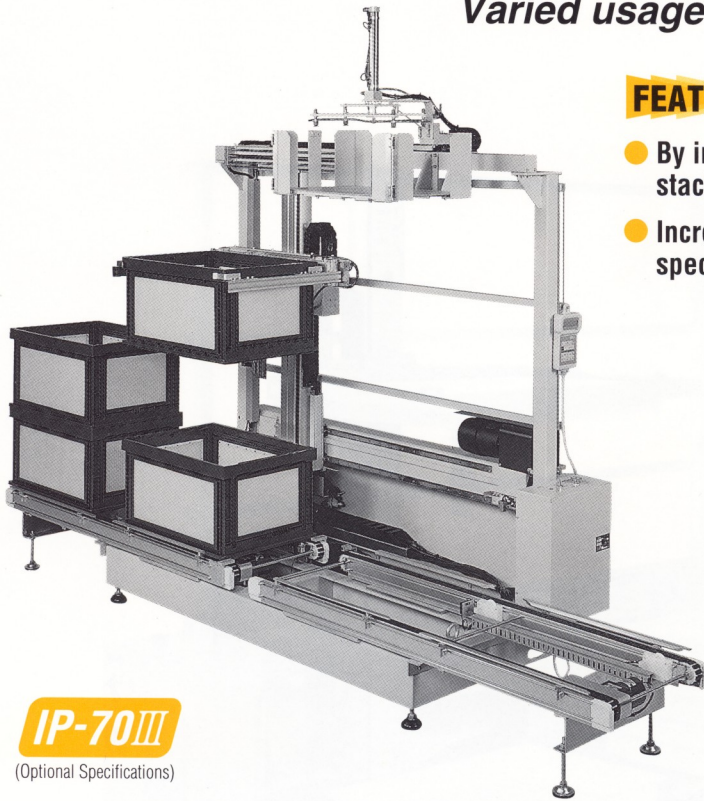
## OUTER DIMENSIONS

I-70Ⅲ



## T O T A L F A S Y S T E M PALLET CHANGER IP/MP

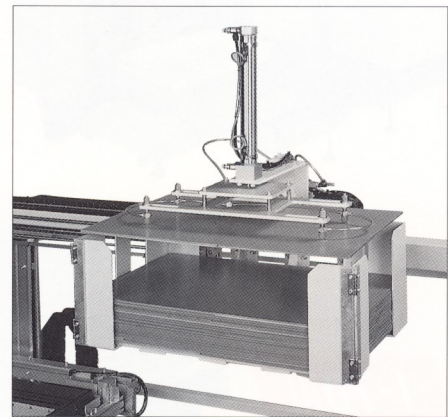
Varied usage with deep containers (PATACON)



**IP-70Ⅲ**  
(Optional Specifications)

### FEATURES

- By installing the sheet supply unit, realized the parts stacking in deep containers (PATACON).
- Increased the loading capacity (Double of FA container specification one).



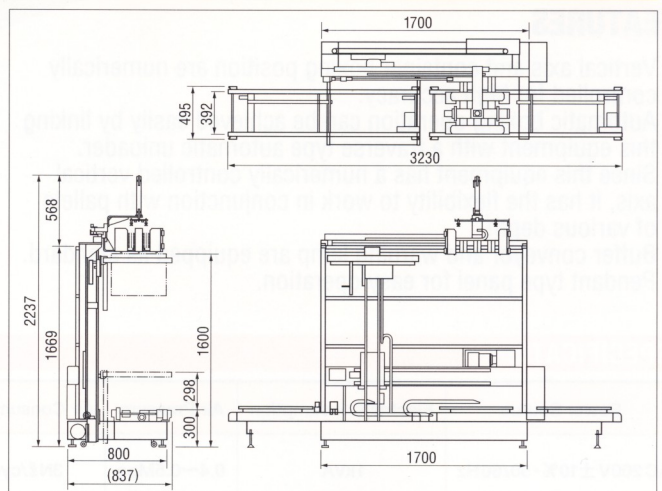
Sheet Supply Unit (Optional)

### SPECIFICATION

Power Source	Electric Consumption	Air Pressure	Air Consumption
AC200V ±10% · 50/60Hz	1kVA	0.4~0.5Mpa	1Nℓ/cycle
Container Replacement Period	20seconds		
Maximum Loading Weight of Container	15kg		
Maximum Stacking Weight	70kg		
Available Container Type	PATACON M-40 · M-70		
Lifter Stroke	1600mm: from floor to container top (specifiable to 1mm)		
Slide Stroke	850mm (specifiable to 1mm)		
Driving Method	Inverter Motor Air Cylinder		
Controller	STEC-ACK		

### OUTER DIMENSIONS

IP-70Ⅲ



● All stated here is subject to change without advance notice.

**STAR SEIKI CO., LTD.** Head Office / International Division: 3-133, Akita, Ohguchi-cho, Niwa-gun, Aichi Pref., 480-0132, JAPAN PHONE:0587-95-7572 FAX:0587-95-7573

U.S.A. **STAR AUTOMATION, INC.** N90, W14401, Commerce Drive, Menomonee Falls, WI 53051, U.S.A. PHONE:414-253-3550 FAX:414-253-3559

Singapore **STAR SEIKI SINGAPORE PTE. LTD.** Cisco Centre #07-06, 20, Jalan Afifi, Singapore 409179, SINGAPORE PHONE:842-2057 FAX:842-2059

Taiwan **STAR SEIKI TAIWAN, INC.** 7F, No.120, Chung Cheng Rd., Shih Lin District, Taipei 111, TAIWAN R.O.C. PHONE:02-2836-0039 FAX:02-2835-9987

China **KUNI-STARS COMPANY, LIMITED** Unit 16-17, 20-21, 10/F., Goldfield Industrial Centre, No.1, Sui Wo Road, Fotan, Shatin, New Territories, HONG KONG P.R.C. PHONE:2687-6745 FAX:2690-4322

Europe **PIOVAN STAR AUTOMATION S.P.A.** Via Salgari 2R/2S, 30030, Caselle di S. Maria di Sala, Venice, ITALY PHONE:0041-57-85-311 FAX:0041-57-85-312

Korea **YUDO-STAR AUTOMATION CO., LTD.** 104 Block, 3 Lot, 652-2 Gojan-Dong, Namdong-Gu, Inchun, 405-310, KOREA PHONE:32-450-4500 FAX:32-818-8111

Malaysia **STAR SEIKI (SINGAPORE) PTE. LTD. K.L. BRANCH** 29-1A, Jalan Bandar-3, Pusat Bandar Puchong, 47100 Selangor, MALAYSIA PHONE:03-432-0211 FAX:03-432-0212

Thailand **STAR SEIKI (THAILAND) CO., LTD.** 22 Sukhumvit Soi 3 (Nana Nua), Klongtoey Nua, Wattana, Bangkok 10110, THAILAND PHONE:02-651-0285 FAX:02-651-0288

Brazil **STAR SEIKI BRASIL LTDA.** Rua Pio XI, 465, CEP:05060-000, SAO PAULO-SP-BRAZIL PHONE:011-3641-6131 FAX:011-260-1756