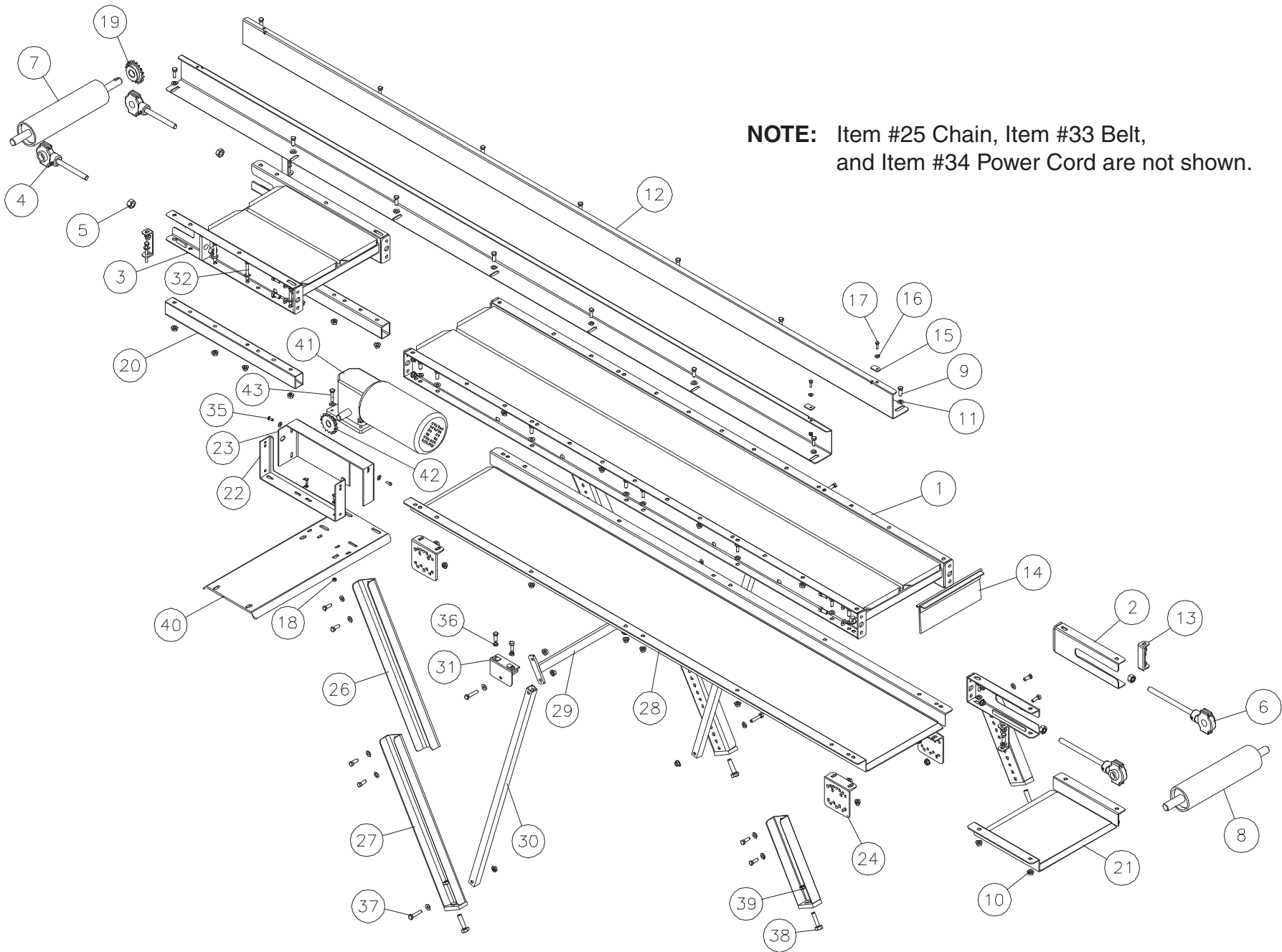


NOTE: Item #25 Chain, Item #33 Belt, and Item #34 Power Cord are not shown.



RMC CONVEYOR PARTS LIST

ITEM	QTY	PART DESCRIPTION	EMI P/N
1	1	FRAME ASSY	4E-206-L-W
2	2	TAIL ASSY	4E-258-1
3	1	DRIVE HEAD ASSY	4E-204-1-W
4	2	DRIVE BEARING TAKE-UP	2E-232-3
5	8	5/8-11 HEX NUT	CP-505
6	2	TAIL BEARING TAKE-UP	2E-232-2
7	1	DRIVE PULLEY	See Next Pg.
8	1	TAIL PULLEY	See Next Pg.
9	58	3/8-24x1 HEX BOLT	CP-141
10	70	3/8-24 HEX NUT	CP-521
11	70	3/8 WASHER	CP-662
12	2	RAILS	4E-33-L
13	4	END BRACKET	4E-14-1
14	1	FLAPPER ASSY	2E-249-5-W
15	2	FLAPPER CLIP	2E-01-10
16	7	1/4 WASHER	CP-654
17	4	1/4-28x3/4 HEX BOLT	CP-125
18	4	1/4-28 HEX NUT	CP-517
19	1	SPROCKET	See BOM
20	2	MOTOR MOUNT SPACER TUBE	4E-31-1
21	1	1' BOTTOM SLIDE TRAY	See Next Pg.
22	1	CHAIN GUARD	See Next Pg.

ITEM	QTY	PART DESCRIPTION	EMI P/N
23	1	CHAIN GUARD COVER	See Next Pg.
24	4	LEG MOUNTING BRACKET	4E-14-3
25	1	CHAIN (NOT SHOWN)	2E-40-4
26	2	LEG EXTENSION	SEE CHART
27	4	LEG WELD ASSY	SEE CHART
28	1	BOTTOM SLIDE TRAY	See Next Pg.
29	1	LEG BRACE	See Next Pg.
30	2	KNEE BRACE	See Next Pg.
31	2	LEG BRACE SUPPORT	4E-241-2
32	8	3/8-24x2-3/4 HEX BOLT	CP-167
33	1	BELT (NOT SHOWN)	See BOM
34	1	POWER CORD (NOT SHOWN)	2E-263-1
35	3	1/4-20 x 3/4 PAN HD ZINC PL SCREW	CP-2305
36	4	3/8-16 HEX JAM NUT	CP-531
37	4	3/8-24x 1-3/4 HEX BOLT	CP-127
38	4	1/2-13x 2 HEX BOLT	CP-134
39	4	1/2-13 HEX JAM NUT	CP-508
40	1	MOTOR MOUNT	4E-29-23-W
41	1	MOTOR AND REDUCER	See BOM
42	1	SPROCKET	See BOM
43	4	3/8-24x 1-1/2 HEX BOLT	CP-137

Part numbers listed in this document are for reference only. When buying replacement parts please provide your conveyor model & serial number to ensure the correct part.

RMC CONVEYOR PARTS LIST - ADDITIONAL ITEMS

Item #7:

6-18" No VG	2E-210-6-W
24-48" No VG	2E-210-5-W

Item #23:

2" LH	4E-67-1
2" RH	4E-67-2
4" LH	4E-67-4
4" RH	4E-67-26

Item #8:

6-18" No VG	2E-224-5-W
24-48" No VG	2E-224-4-W

Item #28:

2" Drop	4E-245-L-W
4" Drop	4E-245-1L-W

Item #21

2" Drop	4E-245-21-W
4" Drop	4E-245-22-W

Item #29:

A-2	4E-241-3-W
A-3	4E-241-4-W

Item #22:

2" LH	4E-08-1
2" RH	4E-08-1
4" LH	4E-08-23
4" RH	4E-08-23

Item #30:

18"	4E-41-29
26"	4E-41-5
38"	4E-41-6
69"	4E-41-7